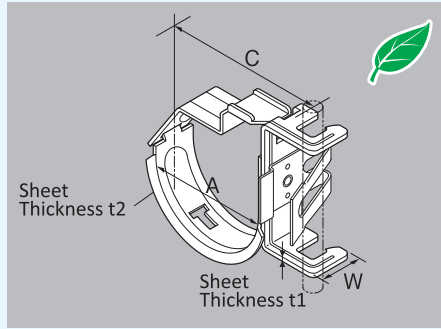
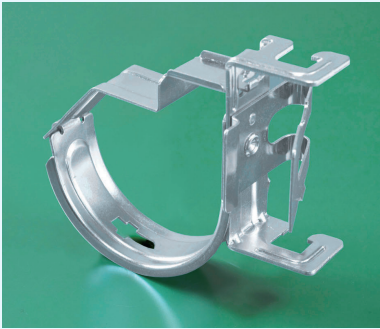


Bracket for A/C Piping

KESS-N SC Keep Hanger

Cost Adjustment Temporary Attachment & Space-Saving Parallel Installation Types

For Drain Pipes



- This product is a pipe brace attached to W3/8 threading.
- The main body is made of steel (trivalent chromate treatment)
- Allowable static load: 20kgf
- ⚠ An impact load must not be applied. May result in damage or collapse.
- ⚠ A load other than piping must not be applied during temporary attachment.
- The shape of KESS50N is different.
- The number in the parentheses for quantity indicates the quantity in the pouch.

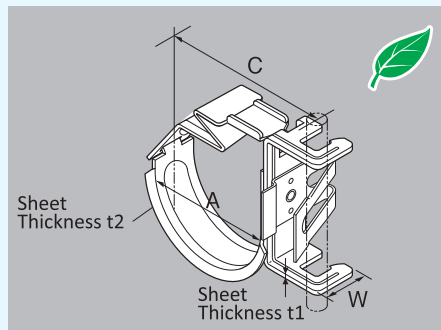
Model No.	Compatible Pipes		A	C	W	t1	t2	Quantity	Delivery Date Confirmation
	VP Pipe	Coverd Copper Pipes							
		Insulation Thickness	Copper Pipes						
KESS20N	VP20+ 10mm Thermal Insulation	10	25.40	46	74			100(20)	
KESS25N	VP25+ 10mm Thermal Insulation	10	31.75	52	79		1.0	100(20)	
KESS30N	VP30+ 10mm Thermal Insulation	10	38.10	58	85	25	2.0	100(20)	
KESS40N	VP40+ 10mm Thermal Insulation	—	—	68	96		1.2	100(20)	
KESS50N	VP50+ 10mm Thermal Insulation	10	50.80	80	108			100(20)	

The mark indicates compliance with RoHS directives.

KESS-VPN SC Keep Hanger

Cost Adjustment Temporary Attachment & Space-Saving Parallel Installation Types

For Drain Pipes



- This product is a pipe brace attached to W3/8 threading.
- The main body is made of steel (trivalent chromate treatment)
- Allowable static load: 20kgf
- ⚠ An impact load must not be applied. May result in damage or collapse.
- ⚠ A load other than piping must not be applied during temporary attachment.
- The number in the parentheses for quantity indicates the quantity in the pouch.
- ⚠ Men guard (MGF) can not be used.

Model No.	Compatible Pipes		A	C	W	t1	t2	Quantity	Delivery Date Confirmation
	ESLON AC_Drain Pipe	VP Pipe							
KESS20VPN	—	20VP	26	54				200(20)	
KESS25VPN	ACD20P	25VP	32	59			1.0	200(20)	
KESS30VPN	ACD25P	30VP	38	65	25	2.0		200(20)	
KESS40VPN	ACD30P	40VP	48	75				100(20)	
KESS50VPN	ACD40P	50VP	60	87			1.2	100(20)	
KESS65VPN	ACD50P	65VP	76	103				90(10)	

※ESLON AC_Drain Pipe is made by Sekisui Chemical Company.

The mark indicates compliance with RoHS directives.