

# Anti-Vibration Bracket for A/C Equipment

Anti-Vibration Bracket for A/C Equipment

## SC Keep X Bracket



### Prevent threaded rods from vibrating!

#### Feature 3:

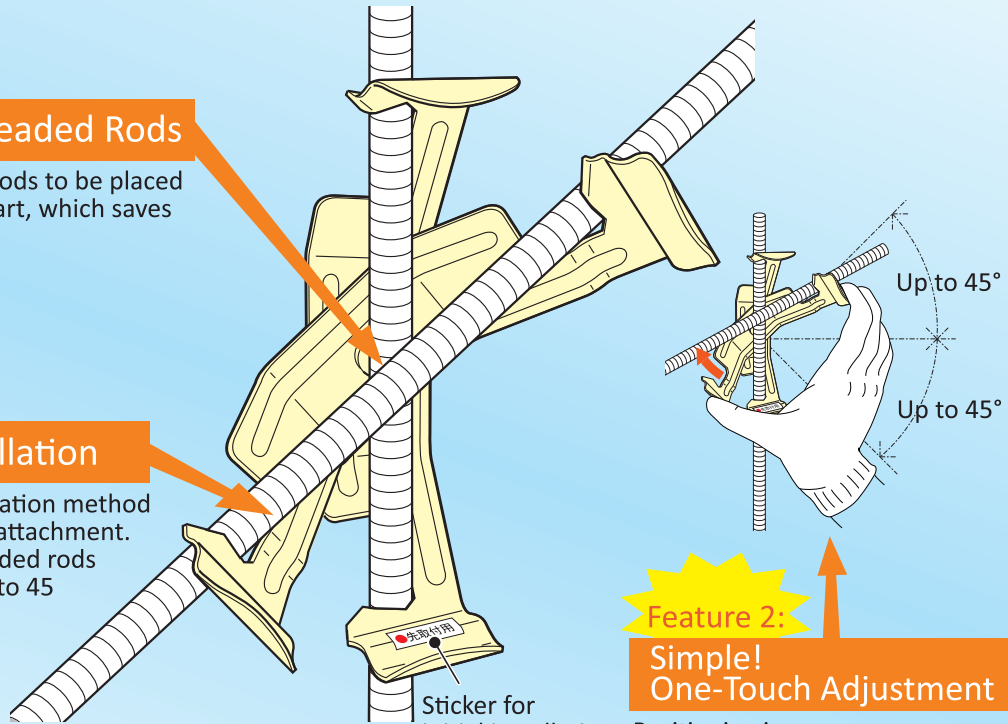
#### Gapless Threaded Rods

Allows threaded rods to be placed less than 1mm apart, which saves space.

#### Feature 1:

#### Easy Installation

Our unique installation method allows for secure attachment. Intersecting threaded rods can be angled up to 45 degrees.



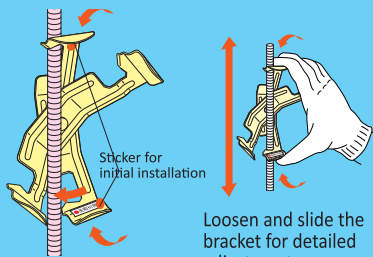
#### Feature 2:

#### Simple! One-Touch Adjustment

Positioning is easy. Hand-friendly streamlined design.

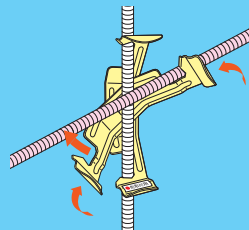
#### Installation Process

(1) Loosen the initial installation bracket and temporarily attach it to the threaded rod.



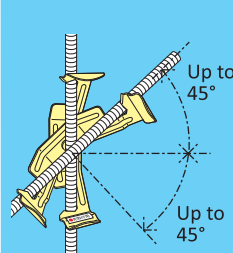
Loosen and slide the bracket for detailed adjustments.

(2) Attach the anti-vibration threaded rod to the bracket.

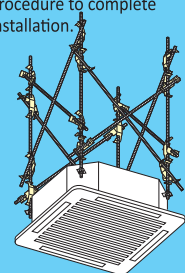


Loosen and slide the bracket for detailed adjustments.

(3) Can be used at up to 45° for vertical threaded rods.

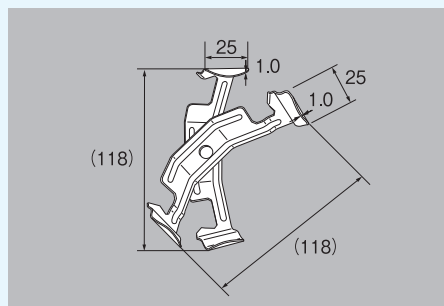


(4) Attach to all threaded rods according to the same procedure to complete installation.



### K SC Keep X Bracket

**PAT.P**



- This product is an anti-vibration bracket for **W3/8**.
- This product is made of stainless steel (SUS201).
- Do not use this product with unthreaded rods.
- ⚠ If excessive load is applied, deformations cannot be corrected. In this case, do not use it.
- The number in the parentheses for quantity indicates the quantity in the box.

Model No.	Compatible Threaded Rods	Quantity	Delivery Date Confirmation
KX3	W3/8	160 (20)	