

# Anti-Vibration Bracket for A/C Equipment

Anti-Vibration Bracket for Piping and A/C Equipment

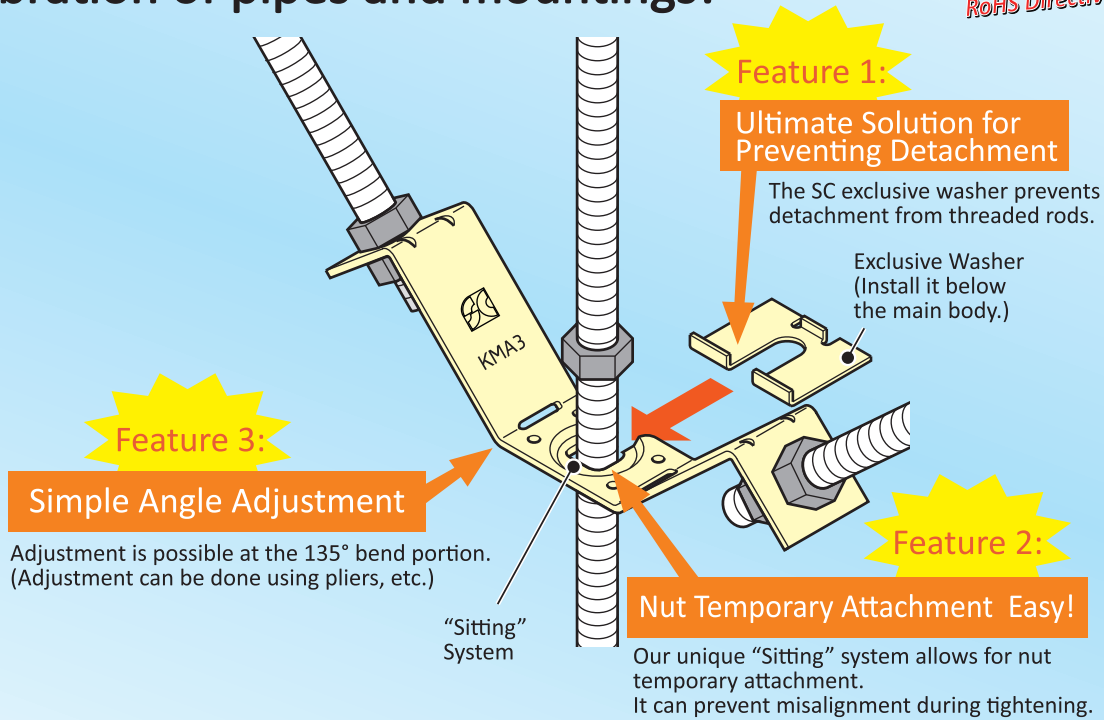
**PAT.P**

## SC Keep M Bracket for Retrofitting

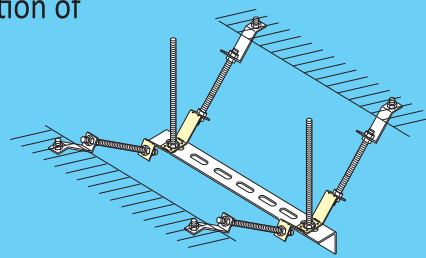


Ultimate solution for preventing vibration of pipes and mountings!

Environmentally Friendly  
Plating Compliant with  
RoHS Directives

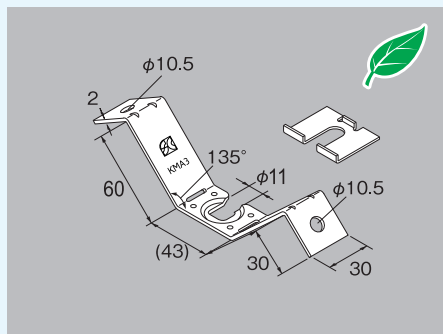


For Preventing Vibration of Mounts



### KMA SC Keep M Bracket (For Retrofitting)

**PAT.P**



- This product is an anti-vibration bracket for W3/8•M10.
- ⚠ The exclusive washer must be used for this product.
- ⚠ When adjusting the angle, do not bend repeatedly or bend excessively.
- The number in the parentheses for quantity indicates the quantity in the box.

Material	Unichrome (U)	Stainless Steel (S)
Model No.	KMA	S-KMA

Model No.	Compatible Threaded Rod	Quantity			Delivery Date Confirmation	
		Main Body	Exclusive Washer	W3/8 Nut	U	S
KMA3	W3/8	120(20)	120(20)	600(100)		