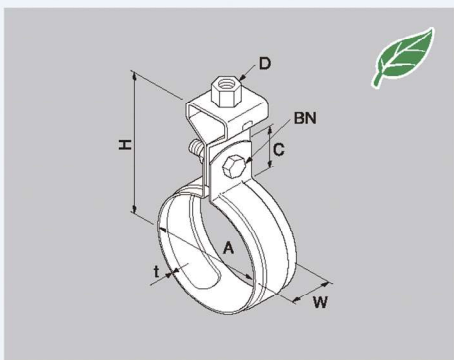


Piping support hardware

LHT Hanging band for PVC pipe with Turn / LH without Turn



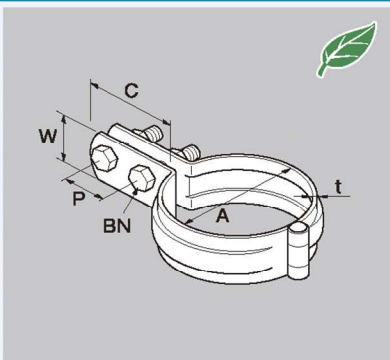
- This product is a lifting hardware for PVC pipe.
- Above 125 A it will be in the shape of a flat plate without ribs.
- The number in the parentheses fo quantity indicates the quantity in the pouch.
- It also fits "AC drain pipe".

Material	Unichrome (U)	Hot-dip galvanized (Z)	Stainless steel (S)
Model No.	BUS	Z-BUS	S-BUS

Model No.	Nominal Diameter A	Compatible Pipe Diameters	Width W	Sheet Thickness t			Hanging Bolt D	Tighteing BN	C	H	Quantity	Delivery Date Confirmation		
				U	Z	S						U	Z	S
LHT13VPM	13	18	25	0.8	0.8	0.8	W3/8	M6x22	28	65	160(10)	※		
LHT16VPM	16	22								67	140(10)	※		
LHT20VPM	20	26								69	120(10)	※		
LHT25VPM	25	32								72	180(10)	※		
LHT30VPM	30	38								75	200(10)	※		
LHT40VPM	40	48								80	140(10)	※		
LHT50VPM	50	60								86	140(10)	※		
LHT65VPM	65	76								94	80(10)	※		
LHT75VPM	75	89								101	60(10)	※		
LHT100VPM	100	114								113	40(10)	※		
LHT125VPM	125	140	32	2.0	2.0	M8x28	33	M8x25	131	30	※			
LHT150VPM	150	165							144	20	※			
LHT200VP	200	216							170	20	※			
LHT250VP	250	267							196	20	※			
LHT300VP	300	318							221	15	※			

The mark indicates compliance with RoHS directives.

HSB Vertical piping band



- This product is for steel pipes and it is used for vertical piping. his product is a lifting hardware for PVC pipe.
- Above 200A it will be in the shape of a flat plate without ribs.
- The number in the parentheses fo quantity indicates the quantity in the pouch.

Material	Unichrome (U)	Hot-dip galvanized (Z)	Stainless steel (S)
Model No.	BUS	Z-BUS	S-BUS

Model No.	Nominal Diameter A	Compatible Pipe Diameters	Width W	Sheet Thickness t			Tighteing BN	C	P	Quantity	Delivery Date Confirmation			
				U	Z	S					U	Z	S	
HSB10M	10	17.3	25	1.8	1.8	M6x22	45	20	160		※			
HSB15M	15	21.7							180(10)					
HSB20M	20	27.2							160(10)					
HSB25M	25	34.0							160(10)					
HSB32M	32	42.7							140(10)					
HSB40M	40	48.6							120(10)					
HSB50M	50	60.5							100(10)					
HSB65M	65	76.3							90(10)					
HSB80M	80	89.1							80(10)					
HSB90M	90	101.6							70(10)	※				
HSB100M	100	114.3	70(10)	※										
HSB125M	125	139.8	32	3.2	3.2	M10x29(M10x30)	64(56)	27(25)	25					
HSB150M	150	165.2							20					
HSB200M	200	216.3				38(50)	4.5	4.5	M12x35	78	35	20	※	
HSB250	250	267.4										10	※	
HSB300	300	318.5				50	4.5	4.5	M12x45	78	35	5	※	
HSB350	350	355.6										5	※	

The mark indicates compliance with RoHS directives.