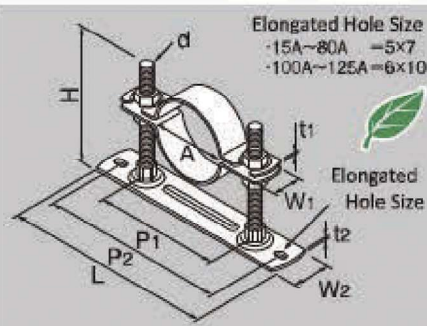


LBS Super S Level Band Type D



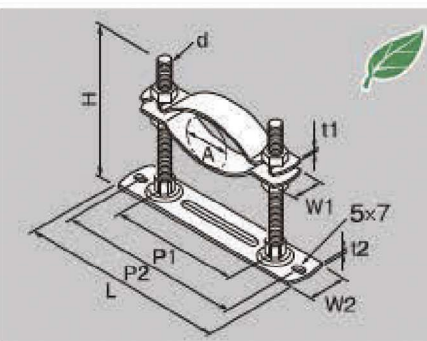
- This product is a bracket for adjusting the level of drainage pipes attached to flooring.
- Compatible with pipes of various diameters.
- Model Numbers with **S** at the end incorporate Super S. (Refer to Page 170.)
- Threaded rod removal is possible, so wide level adjustment is possible.

| Material | Unichrome(U) | Hot-Dip Galvanizing(Z) | Stainless Steel(S) |
|-----------|--------------|------------------------|--------------------|
| Model No. | LBS | Z-LBS | S-LBS |

| Model No. | Compatible Pipe Diameters A | H | t1 | | | t2 | | | W1 | W2 | P1 | P2 | L | d | Quantity | Delivery Date Confirmation | | | | | | | | | | |
|-------------------|-----------------------------|-----|-----|-----|-----|-----|-----|-----|----|----|-----|-----|-----|------|----------|----------------------------|---|---|---|---|---|--|--|--|---|---|
| | | | U | Z | S | U | Z | S | | | | | | | | U | Z | S | | | | | | | | |
| LBS-S10D S | 15~ 25 | 100 | | | | | | | | | | | | 60 | | ※ | ※ | | | | | | | | | |
| LBS-S12D S | | 120 | | | | | | | | 65 | 115 | 135 | | | | | ※ | ※ | | | | | | | | |
| LBS-S15D S | | 150 | | | | | | | | | | | | | | | | ※ | ※ | | | | | | | |
| LBS-S20D S | | 200 | | | | | | | | | | | | | | ※ | ※ | | | | | | | | | |
| LBS-A10D S | 32~ 50 | 100 | | | | | | 25 | 32 | | 85 | 135 | 155 | W3/8 | 50 | | ※ | ※ | | | | | | | | |
| LBS-A12D S | | 120 | | | | | | | | | | | | | | | | | | | | | | | ※ | ※ |
| LBS-A15D S | | 150 | | | | | | | | | | | | | | | | | | | | | | | | ※ |
| LBS-A20D S | | 200 | | | | | | | | | | | | | | | ※ | ※ | | | | | | | | |
| LBS-B10D S | 65~ 80 | 100 | 2.0 | 2.0 | 2.0 | 2.6 | 2.6 | 2.0 | | | | | | | | | ※ | ※ | | | | | | | | |
| LBS-B12D S | | 120 | | | | | | | | | 120 | 170 | 190 | | | | | ※ | ※ | | | | | | | |
| LBS-B15D S | | 150 | | | | | | | | | | | | | | | | | ※ | ※ | | | | | | |
| LBS-B20D S | | 200 | | | | | | | | | | | | | | | | ※ | ※ | | | | | | | |
| LBS-C10D S | 100~125 | 100 | | | | | | | | | | | | | | | | ※ | ※ | | | | | | | |
| LBS-C12D S | | 120 | | | | | | | | | 170 | 220 | 240 | | | | | | ※ | ※ | | | | | | |
| LBS-C15D S | | 150 | | | | | | | | | | | | | | | | | | ※ | ※ | | | | | |
| LBS-C20D S | | 200 | | | | | | | 32 | | | | | | | | | | | ※ | ※ | | | | | |

The mark indicates compliance with RoHS directives. (Hot-dip galvanizing is not compliant with RoHS.)

LBS Super S Flee Level Band



- This product is a bracket for adjusting the level of drainage pipes attached to flooring.
- Compatible with pipes of various diameters.
- Model Numbers with **S** at the end incorporate Super S. (Refer to Page 170.)
- Threaded rod removal is possible, so wide level adjustment is possible.

| Material | Unichrome(U) | Hot-Dip Galvanizing(Z) | Stainless Steel(S) |
|-----------|--------------|------------------------|--------------------|
| Model No. | LBS | Z-LBS | S-LBS |

| Model No. | Compatible Pipe Diameters A | H | t1 | | | t2 | | | W1 | W2 | P1 | P2 | L | d | Quantity | Delivery Date Confirmation | | | | |
|------------------|-----------------------------|-----|----|---|---|----|---|---|----|----|----|----|---|----|----------|----------------------------|---|---|---|---|
| | | | U | Z | S | U | Z | S | | | | | | | | U | Z | S | | |
| LBS-F10 S | 32~80 | 100 | | | | | | | | | | | | 50 | | ※ | ※ | | | |
| LBS-F12 S | | 120 | | | | | | | | | | | | | | | | ※ | ※ | |
| LBS-F15 S | | 150 | | | | | | | | | | | | | | | | | ※ | ※ |
| LBS-F20 S | | 200 | | | | | | | | | | | | | | | | | ※ | ※ |

The mark indicates compliance with RoHS directives. (Hot-dip galvanizing is not compliant with RoHS.)