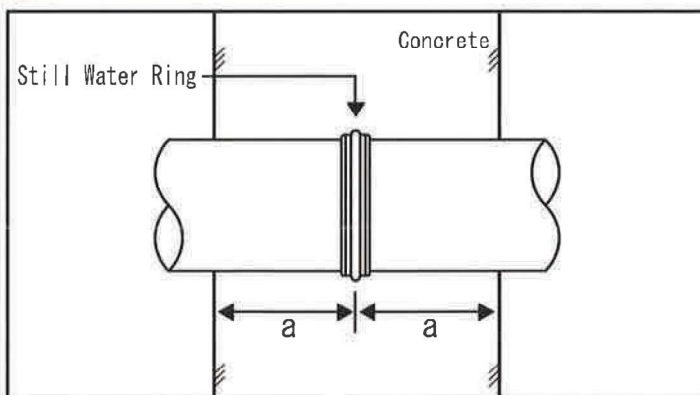


SAY Still Water Ring



- When attached to the sleeve tube, it prevents water from seeping between the concrete and sleeve tube.
- Layered construction of water-expanding rubber and non-expanding rubber suppresses changes in the inner diameter even if initial expansion has started due to rainwater, etc. before placement of concrete.
- Since it is manufactured to the pipe outer diameter size, it can be easily attached.
- Structure has a cross-sectional shape that will not affect the performance of the concrete.
- Can be used for PVC pipes, steel pipes, steel conduits, etc.

Example of Construction



※ $a \geq 100\text{mm}$

1. Be careful to avoid water leaks or moisture after opening.
2. Before applying, thoroughly clean dirt, oil, etc. from the pipe surface.
3. Product should be stored indoors in a cool, dark place.
4. The product should be used in environments at 60° C or less.
5. Avoid long-term immersion in water before placement of concrete.
6. Install at least 100mm from the edges of the concrete toward the inside.

Model No.	JIS Nominal Diameter	Outer Diameter (ϕ)	Quantity	Delivery Date Confirmation
SAY-50	50A	60	24	
SAY-65	65A	76	36	
SAY-75	75A	89	36	
SAY-100	100A	114	40	
SAY-125	125A	140	32	
SAY-150	150A	165	32	
SAY-175	175A	191	16	
SAY-200	200A	216	16	
SAY-250	250A	267	16	
SAY-300	300A	318	8	
SAY-350	350A	370	4	
SAY-400	400A	420	4	