

Bracket for A/C Refrigerant Piping

**PAT.P**

## SC Keep Hanger

For Covered Copper Piping  
For Drain Pipes  
& Men Guard System

Level Adjustment

**Temporary Attachment**

Space-Saving

**Parallel Installation Types**

Long-Awaited "Industry First" New Design!

Feature 2: **Parallel Installation**

Organize Pipes to Save Space

"Parallel Installation" system allows for easy installation even in tight spaces under ceilings!

Feature 4:

**Revolutionary Idea! Men Guard**

Our exclusive "Men Guard" system allows for a "perfect fit" and "one-touch" operation! A 200mm Men guard for thermal insulation protection prevents the thermal insulation from being smashed by the weight of the pipes.

**New Size Added!**

**KEPS516N(MG7)**

**φ15.88×φ28.58**

(For 10mm X 20mm thermal insulation)

**STOP!**  
Condensation

Environmentally Friendly  
Plating Compliant with  
RoHS Directives

Feature 5:

**Secure! Keep Lock!**

Our unique and simple "Lock" system allows for one-touch attachment.

Large Knob  
(With Leveling)

Feature 3:

**Easy! "Level Adjustment"**

The leveling knob allows space for easy, flexible side adjustment after laying pipes.

Feature 1: **Temporary Attachment**

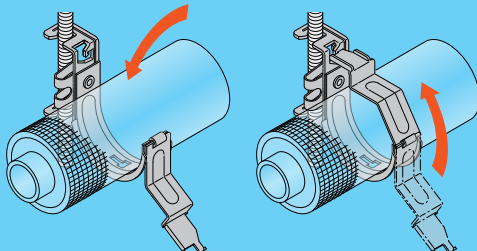
**Simple! "Temporary Attachment"**

Our unique "Temporary Attachment" system allows for "one-touch" incline adjustment.

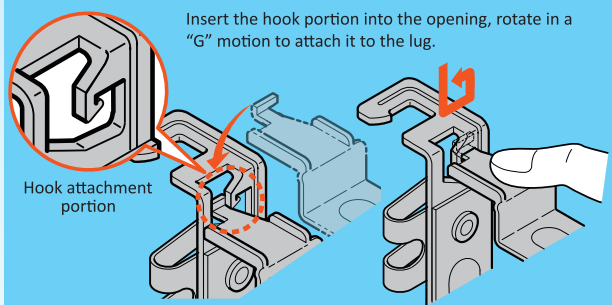
Installation Process

(1) Open the band (top portion) and place the pipe.

(2) Close the keep lock to complete installation.



How to Close the Keep Lock

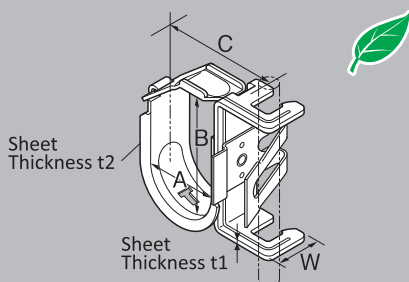


# Bracket for A/C Piping

## KEPS-N SC Keep Hanger

Temporary Attachment & Parallel Installation Types

For Covered Copper Piping (Without Men Guard)

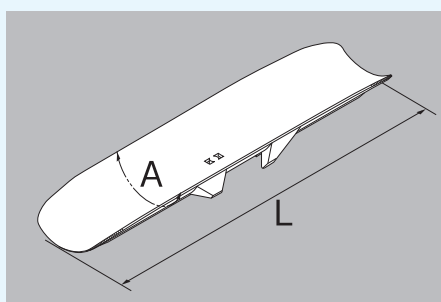


- This product is a pipe brace attached to W3/8 threading.
- The main body is made of steel (trivalent chromate treatment)
- Allowable static load: 20kgf
- ⚠ An impact load must not be applied. May result in damage or collapse.
- ⚠ A load other than piping must not be applied during temporary attachment.
- The number in the parentheses for quantity indicates the quantity in the pouch.

Model No.	Thermal Insulation Size	Compatible Piping	A	B	C	W	t1	t2	Quantity	Delivery Date Confirmation
KEPS24N		6.35×9.52~6.35×12.7	36	62	63				100(20)	
KEPS35N		6.35×15.88~9.52×15.88	38	66	66				100(20)	
KEPS46N	10×10	9.52×19.05~12.7×19.05	41	72	69			1.0	100(20)	
KEPS78N		12.7×22.22~15.88×25.4	47	88	75				100(20)	
KEPS69N	10×20	19.05×25.4~19.05×28.58 6.35×9.52	51	90	76	25	2.0		100(20)	
KEPS710N	10×10	22.22×28.58~22.22×31.75 6.35×12.7	54	96	81				100(20)	
KEPS1112N	10×10	28.58×34.92~34.92×38.1 6.35×15.88~9.52×15.88	60	114	88				60(10)	
KEPS516N	10×20	15.88×28.58	70	106	103			1.2	60(10)	
KEPS619N	10×20	19.05×38.1	80	119	109				60(10)	

The mark indicates compliance with RoHS directives.

## MGF Men Guard (Accessories Sold Separately)



- This product is a protective member of insulation material used for SCkeephanger.
- This product is made of polypropylene.
- ⚠ This product must be used indoors.
- The number in the parentheses for quantity indicates the quantity in the pouch.

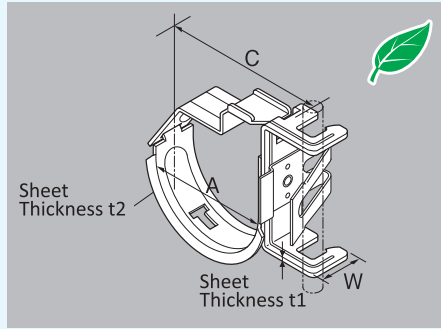
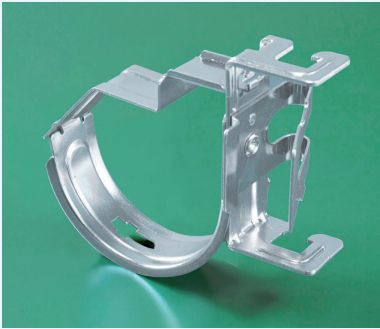
Model No.	Size		Compatible SC Keep Hanger		Quantity	Delivery Date Confirmation
	A	L	For Covered Copper Piping	For Drain Pipes		
MGF55	55	200	KEPS24N	KESS20N	160(10)	
			KEPS35N			
			KEPS46N			
			KEPS78N			
			KEPS69N			
MGF88	88	200	KEPS710N	KESS30N	120(10)	
			KEPS1112N	KESS40N		
			KEPS516N	KESS50N		
			KEPS619N			

# Bracket for A/C Piping

## KESS-N SC Keep Hanger

Cost Adjustment Temporary Attachment & Space-Saving Parallel Installation Types

### For Drain Pipes



- This product is a pipe brace attached to W3/8 threading.
- The main body is made of steel (trivalent chromate treatment)
- Allowable static load: 20kgf
- ⚠ An impact load must not be applied. May result in damage or collapse.
- ⚠ A load other than piping must not be applied during temporary attachment.
- The shape of KESS50N is different.
- The number in the parentheses for quantity indicates the quantity in the pouch.

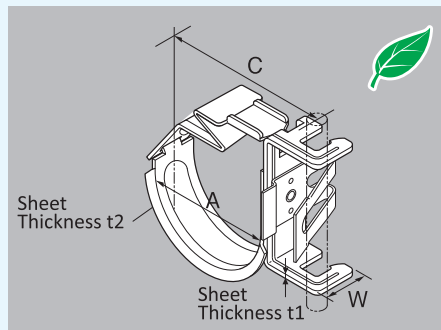
Model No.	Compatible Pipes		A	C	W	t1	t2	Quantity	Delivery Date Confirmation
	VP Pipe	Coverd Copper Pipes							
		Insulation Thickness	Copper Pipes						
KESS20N	VP20+ 10mm Thermal Insulation	10	25.40	46	74			100(20)	
KESS25N	VP25+ 10mm Thermal Insulation	10	31.75	52	79		1.0	100(20)	
KESS30N	VP30+ 10mm Thermal Insulation	10	38.10	58	85	25	2.0	100(20)	
KESS40N	VP40+ 10mm Thermal Insulation	—	—	68	96		1.2	100(20)	
KESS50N	VP50+ 10mm Thermal Insulation	10	50.80	80	108			100(20)	

The mark indicates compliance with RoHS directives.

## KESS-VPN SC Keep Hanger

Cost Adjustment Temporary Attachment & Space-Saving Parallel Installation Types

### For Drain Pipes



- This product is a pipe brace attached to W3/8 threading.
- The main body is made of steel (trivalent chromate treatment)
- Allowable static load: 20kgf
- ⚠ An impact load must not be applied. May result in damage or collapse.
- ⚠ A load other than piping must not be applied during temporary attachment.
- The number in the parentheses for quantity indicates the quantity in the pouch.
- ⚠ Men guard (MGF) can not be used.

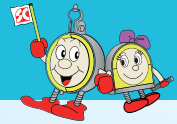
Model No.	Compatible Pipes		A	C	W	t1	t2	Quantity	Delivery Date Confirmation
	ESLON AC_Drain Pipe	VP Pipe							
KESS20VPN	—	20VP	26	54				200(20)	
KESS25VPN	ACD20P	25VP	32	59			1.0	200(20)	
KESS30VPN	ACD25P	30VP	38	65	25	2.0		200(20)	
KESS40VPN	ACD30P	40VP	48	75				100(20)	
KESS50VPN	ACD40P	50VP	60	87			1.2	100(20)	
KESS65VPN	ACD50P	65VP	76	103				90(10)	

※ESLON AC\_Drain Pipe is made by Sekisui Chemical Company.

The mark indicates compliance with RoHS directives.



## Bracket for A/C & Refrigerant Piping SC Keep Hanger for Multiple Pipes (3 Pipes) & Men Guard Specifications



Parallel  
Installation Type

### Optimal for Multiple Pipes!

Large Knobs  
(With Leveling)

Feature 3

Easy!  
One-Touch Adjustment

Leveling knobs are used for easy adjustment.

Feature 5

OK for Supporting Electrical Wires.  
"Smooth"

Independent and exclusive spaces for electrical wires (cables) have been installed. Wires can be added anytime.



Safe! Rotation Lock System

Excessive impact can be handled by the band open/close portion, so it can be used without worry.

Feature 2:

STOP!  
Condensation

Environmentally Friendly  
Plating Compliant with  
RoHS Directives

Secure!  
Double Lock  
System

Feature 4:

Slide Pin Lock

Safe piping support is ensured. Insert the slide pin after determining the pipe position.

Feature 1:

Keep

Revolutionary Idea!  
Men Guard

Main feature of the "SC Keep Hanger"!! The area that holds the weight of the piping is increased, which prevents the pipe jacketing from being smashed.  
\*Men guard MGH1(BK) should be used. (Sold separately)

Feature 6:

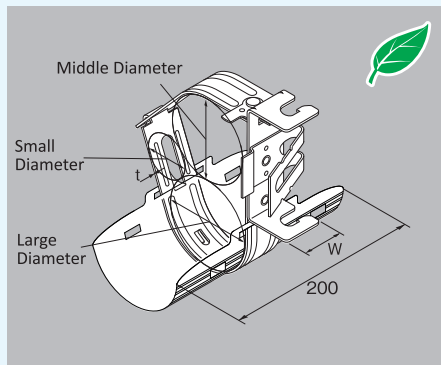
Temporary  
Attachment!

Pipes can be attached temporarily! Pipe positions can be determined during construction, which improves work efficiency.

## KETS

SC Keep Hanger Parallel Installation Type for Multiple Pipes (3 Pipes) Men Guard Specifications (Sold Separately)

PAT.P



- This product is a pipe brace attached to M10 threading.
- By using the Men guard for the hanging band (polypropylene), the area that receives the weight is increased, which prevents the jacketing material from being smashed.
- The main body is made of steel (trivalent chromate treatment)
- Allowable static load: 20kgf
- ⚠ If excessive load is applied, deformations cannot be corrected. In this case, do not use it.
- ⚠ A rotation lock is used at the band open/close portion, and a slide pin lock is used at the bolt attachment location. However, an impact load must not be applied. May result in damage or collapse.
- The number in the parentheses for quantity indicates the quantity in the pouch.

Model No.	Compatible Men Guard	Insulation Thickness	Compatible Pipes	Small Diameter	Middle Diameter	Large Diameter	W	t	Quantity	Delivery Date Confirmation
KETS820			12.7×22.22×25.4	33	63	66			40(10)	
KETS920	MGH1	10×20×20	15.88×25.4×28.58	36	66	69	32	1.5	40(10)	
KETS1020	(BK)		19.05×28.58×31.75	40	69	72				
KETS1220			19.05×31.75×38.1	40	72	79				

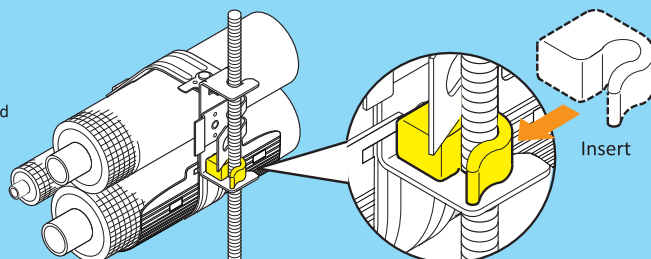
🌿 The mark indicates compliance with RoHS directives. \*Men Guard MGH1(BK) should be used. (Sold separately)

### Safe Construction!

#### Slide Pin Lock Installation Process

##### Features

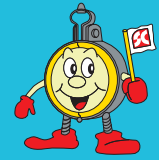
- After the slide pin lock is installed, sliding of the threaded rod can be prevented even when excessive "impact" is applied to the threaded rod bolt fixing portion.
- Made from resin for safe installation.
- One-touch installation is possible.
- ⚠ When used repeatedly, the resin may become deformed. If the resin becomes deformed, it can no longer be used.





For A/C Piping

## SC Hanging Band Men Guard



Pipe Condensation Prevention Series!  
Safe and Secure Installation with Men Guard



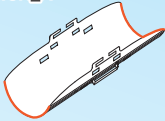
### Feature 4: Secure Covered Piping Installation

Using the openings at the four corners, it is also possible to attach using a bundling band (Insulok).

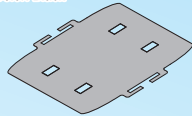
### Feature 1: Improved "MGH\_R"

The improved "MGH\_R" is easier to install.

"MGH\_R"



"MGH\_BK"  
Color: Black

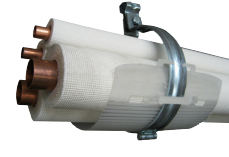


### Feature 2:

### Strong Hold

The one-touch installation clip tie creates a strong-holding temporary joint for preventing misalignment and detachment. It can be used for all hinge type, kit type, lantern type, and hanging type products.

Example hinge type hanging band



Example lantern type hanging VP band

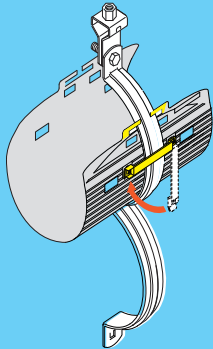


### Feature 3: Strong Support with an Overall Length of 200mm

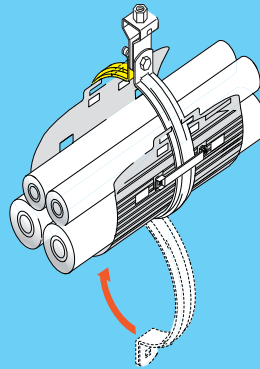
The 200mm length provides secure support for thermal insulation.

Installation Process

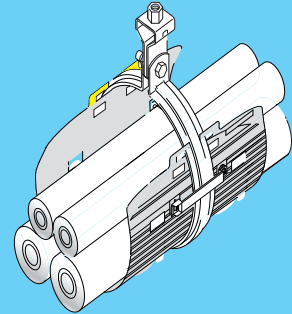
- (1) Hook it around the band.
- (2) Affix the clip tie around the band.



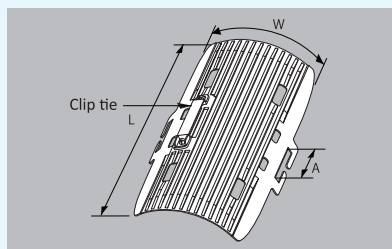
- (3) Lay the pipes and then close the band.



- (4) Hook the other side to the band to complete installation.



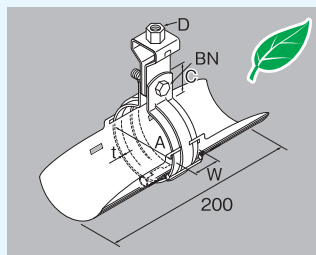
## MGH\_R/MGH\_BK SC Hanging Band Men Guard



- This product supports A/C and refrigerant pipes by increasing the area that supports the thermal insulation so that the jacketing and insulation do not get smashed.
- Made of polypropylene.
- ▲ To attach pipes, use the openings at the four corners and a bundling band, etc.
- ▲ This product is for indoor use only.
- ▲ Lock using a clip tie in order to prevent detachment.
- The number in the parentheses for quantity indicates the quantity in the pouch.

Model No.	W	L	A	Compatible Bands	Quantity	Delivery Date Confirmation
MGH1R	110	200	35	50A~90A	180(10)	
MGH2R	200	200	53	100A~150A	120(10)	
MGH1BK	110	200	35	50A~90A	100(20)	
MGH2BK	200	200	53	100A~150A	100(20)	

## HHT Hinge Type Hanging Band with Turn Men Guard Set (Sold Separately)



- With this product, the hanging band and hanging band Men guard are a set for bracing.
- When supporting A/C and refrigerant pipes, the area the supports the thermal insulation is increased so that leakage from the jacketing and insulation can be prevented.
- Model Numbers with **M** at the end incorporate Super M. (Refer to Page 52.)
- The number in the parentheses for quantity indicates the quantity in the pouch.

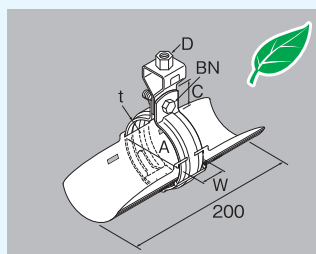
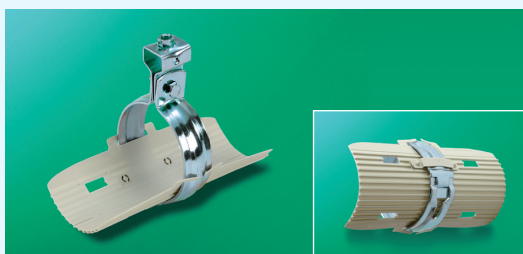
⚠ This product must be used indoors.  
\*Be sure to use a compatible Men guard. (Sold separately)

Material	Unichrome(U)
Model No.	HHT

Model No.	Compatible Hanging Band Men Guard	Sheet Width W	Sheet Thickness t	Hanging Bolt D	Tightening BN	C	Quantity	Delivery Date Confirmation
			U					U
HHT50 <b>M</b>	MGH1(BK)	25	1.8	W3/8	M6×25	28	100(10)	
HHT65 <b>M</b>			2.3		M8×28		90(10)	
HHT80 <b>M</b>			2.3		M8×28		80(10)	
HHT100 <b>M</b>	MGH2(BK)	32	3.2	W1/2	M10×39	31	70(10)	
HHT125 <b>M</b>					M12×39		25	
HHT150 <b>M</b>					M12×39		20	

The mark indicates compliance with RoHS directives.

## KHT Kit Type Hanging Band with Turn Men Guard Set (Sold Separately)



- With this product, the hanging band and hanging band Men guard are a set for bracing.
- When supporting A/C and refrigerant pipes, the area the supports the thermal insulation is increased so that leakage from the jacketing and insulation can be prevented.
- Model Numbers with **M** at the end incorporate Super M. (Refer to Page 52.)
- The number in the parentheses for quantity indicates the quantity in the pouch.

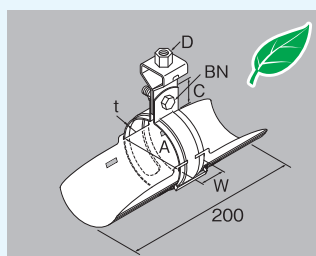
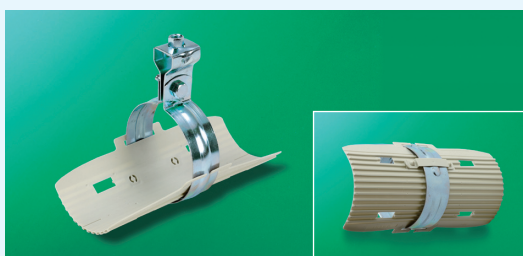
⚠ This product must be used indoors.  
\*Be sure to use a compatible Men guard. (Sold separately)

Material	Unichrome(U)
Model No.	KHT

Model No.	Compatible Hanging Band Men Guard	Sheet Width W	Sheet Thickness t	Hanging Bolt D	Tightening BN	C	Quantity	Delivery Date Confirmation
			U					U
KHT50 <b>M</b>	MGH1(BK)	25	2.0	W3/8	M6×22	25	80(10)	
KHT65 <b>M</b>			2.6		M8×28		60(10)	
KHT80 <b>M</b>			2.6		M8×28		60(10)	
KHT100 <b>M</b>	MGH2(BK)	38	2.8	W1/2	M10×30	38	50(10)	
KHT125					M12×40		30	
KHT150					M12×40		25	

The mark indicates compliance with RoHS directives.

## LHT "Lantern" Type Hanging Band with Turn Men Guard Set (Sold Separately)



- With this product, the hanging band and hanging band Men guard are a set for bracing.
- When supporting A/C and refrigerant pipes, the area the supports the thermal insulation is increased so that leakage from the jacketing and insulation can be prevented.
- Model Numbers with **M** at the end incorporate Super M. (Refer to Page 52.)
- The number in the parentheses for quantity indicates the quantity in the pouch.

⚠ This product must be used indoors.  
\*Be sure to use a compatible Men guard. (Sold separately)

Material	Unichrome(U)
Model No.	LHT

Model No.	Compatible Hanging Band Men Guard	Sheet Width W	Sheet Thickness t	Hanging Bolt D	Tightening BN	C	Quantity	Delivery Date Confirmation
			U					U
LHT50VP <b>M</b>	MGH1(BK)	25	0.8	W3/8	M6×22	28	140(10)	
LHT65VP <b>M</b>			1.0		M8×28		80(10)	
LHT75VP <b>M</b>			1.0		M8×28		60(10)	
LHT100VP <b>M</b>	MGH2(BK)	32	2.0	W3/8	M10×39	33	40(10)	
LHT125VP <b>M</b>					M12×39		30	
LHT150VP <b>M</b>					M12×39		20	

The mark indicates compliance with RoHS directives.

**With a Wide Lineup of SC Products  
"Possible" "Selectable"  
In Combination with Men Guard**

