

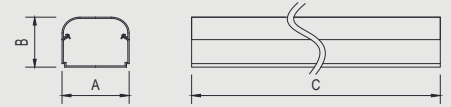
DUCT COVER FOR AIR-CONDITION

PIPE GROOVE

ASD ● USE INDOOR STRAIGHT PART



■ DIAMETER SIZE



MATERIAL: PVC

MODEL CODE	MODEL NO.	SIZE (mm)			Q' TY	CASE SIZE	RETAIL PRICE (+TAX)
		A	B	C			
8071	ASD-75 □	75	63	2000	18	470*320*265	

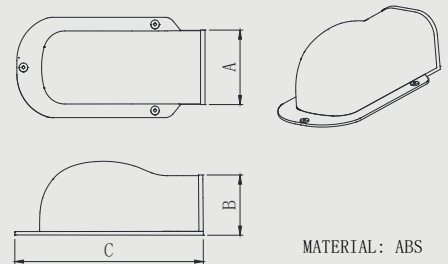
For special sizes and colors, please contact to us

DECORATIVE CAP

ASW ● USE OUTSIDE THE WALL



■ DIAMETER SIZE



MATERIAL: ABS

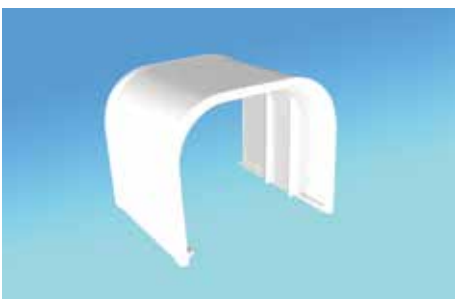
ACCESSORIES: SUS Φ3.5×23 SCREWS (3PCS)

MODEL CODE	MODEL NO.	SIZE (mm)			Q' TY	CASE SIZE	RETAIL PRICE (+TAX)
		A	B	C			
8072	ASW-75 □	75	63	215	18	470*320*265	

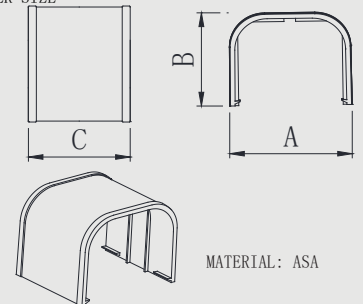
For special sizes and colors, please contact to us

DIRECT

ASJ ● FOR PIPE GROOVE CONNECTION



■ DIAMETER SIZE



MATERIAL: ASA

MODEL CODE	MODEL NO.	SIZE (mm)			Q' TY	CASE SIZE	RETAIL PRICE (+TAX)
		A	B	C			
8073	ASJ-75 □	75	63	70	18	470*320*265	

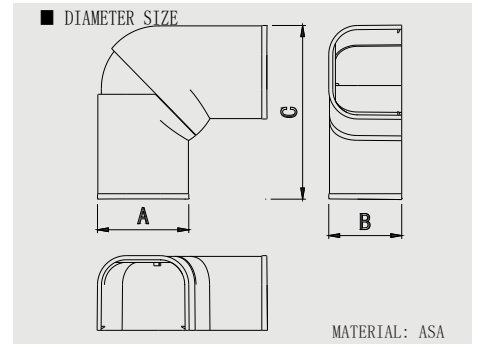
For special sizes and colors, please contact to us



DUCT COVER FOR AIR-CONDITION

VARIABLE BEND

ASKM ● USED FOR FLAT 90° - 135°

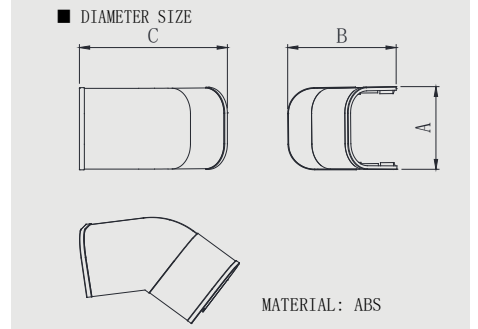


MODEL CODE	MODEL NO.	SIZE (mm)			Q' TY	CASE SIZE	RETAIL PRICE (+VAT)
		A	B	C			
8074	ASKM-75 □	75	63	155	18	470*320*265	

For special sizes and colors, please contact to us

VARIABLE ELEVATION - INSIDE CORNER

ASCM ● USED FOR CORNER 90° - 135°

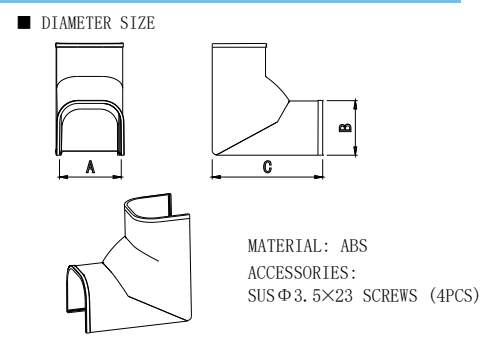
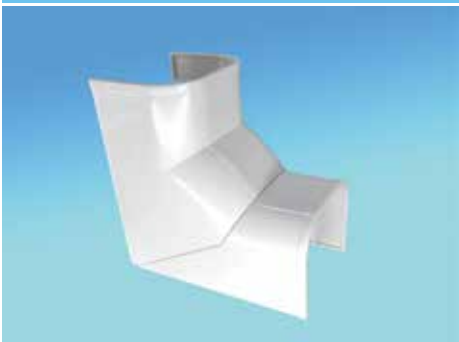


MODEL CODE	MODEL NO.	SIZE (mm)			Q' TY	CASE SIZE	RETAIL PRICE (+VAT)
		A	B	C			
8075	ASCM-75 □	75	63	160	18	470*320*265	

For special sizes and colors, please contact to us

VARIABLE ELEVATION - INSIDE CORNER

ASC ● USED FOR CORNER 90° - 135°



MODEL CODE	MODEL NO.	SIZE (mm)			Q' TY	CASE SIZE	RETAIL PRICE (+VAT)
		A	B	C			
8076	ASC-75 □	75	63	137	18	470*320*265	

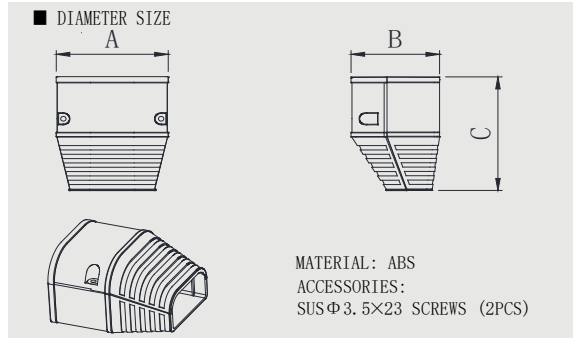
For special sizes and colors, please contact to us



DUCT COVER FOR AIR-CONDITION

TAILING

ASE ● USE AT THE END OF THE PIPE GROOVE



MODEL CODE	MODEL NO.	SIZE (mm)			Q' TY	CASE SIZE	RETAIL PRICE (+VAT)
		A	B	C			
8077	ASE-75 □	75	63	137	18	470*320*265	

For special sizes and colors, please contact to us

■ INSTALLATION EXAMPLE

